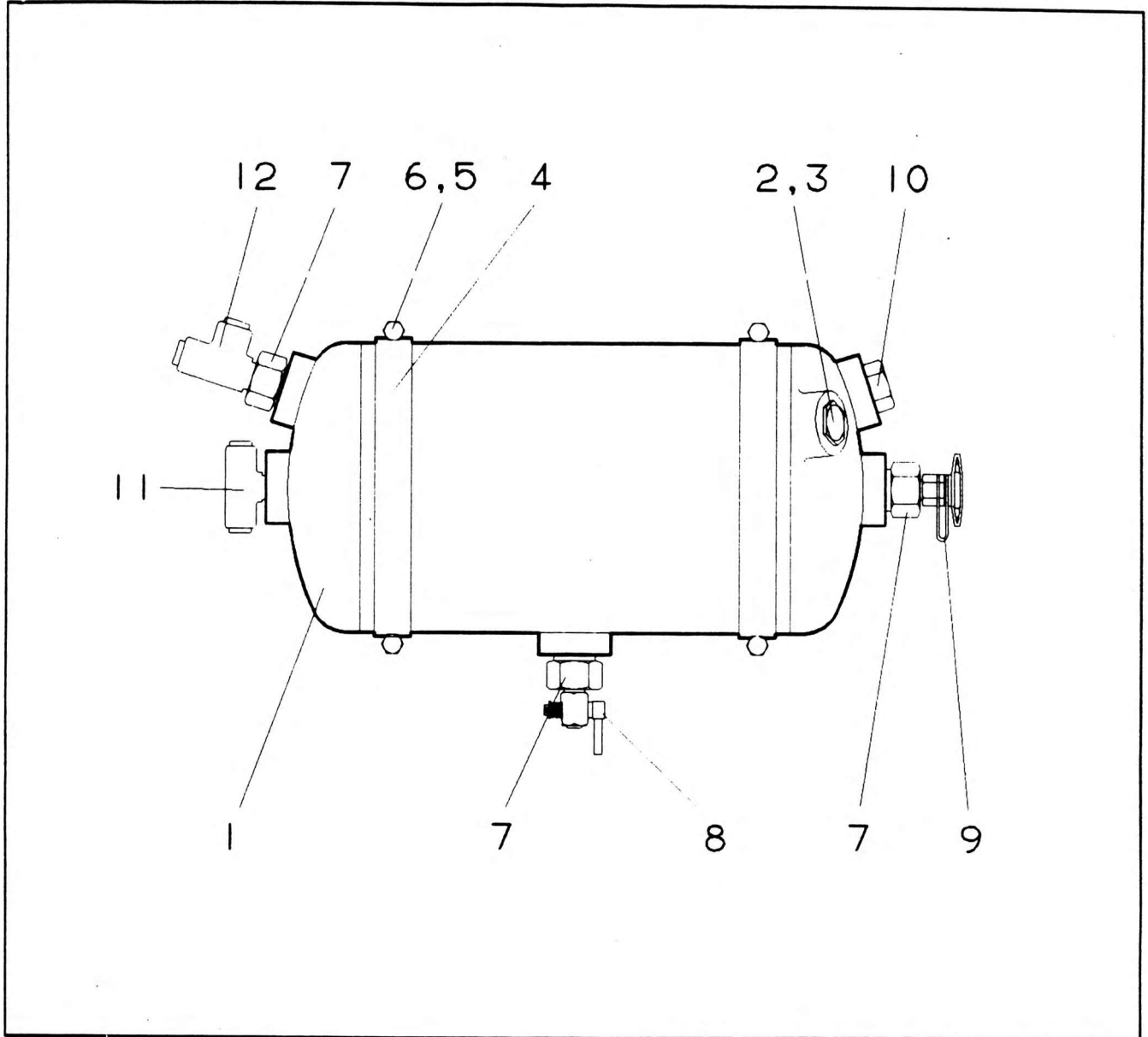


AUX AIR TANKS SUB ASSY



NO.	PART NO.	QTY.	DESCRIPTION	NO.	PART NO.	QTY.	DESCRIPTION
1	7-880-990067	1	Reservoir 10 Ltrs				
2	7-105-160415	1	Setscrew $\frac{3}{8}$ "UNF x $\frac{1}{2}$ "				
3	7-950-160157	1	Fibre Washer $\frac{3}{8}$ "				
4	7-184-000106	2	Bracket				
5	7-661-170003	4	Hex Nut M8				
6	7-951-170210	4	Washer Spring Dia.8				
7	7-445-080450	1	Reducer $\frac{1}{2}$ " to $\frac{1}{4}$ " NPTF				
8	7-926-001994	1	Drain Cock $\frac{1}{4}$ "				
9	8360283	1	Test Point Adaptor				
10	88879	1	Plug				
11	7-443-991008	1	Tee Adaptor				
12	7-443-990986	1	Special 'T' Adaptor				

6-880-990357
Issue No. 01